

K12 SYSTEM DROP DOWN

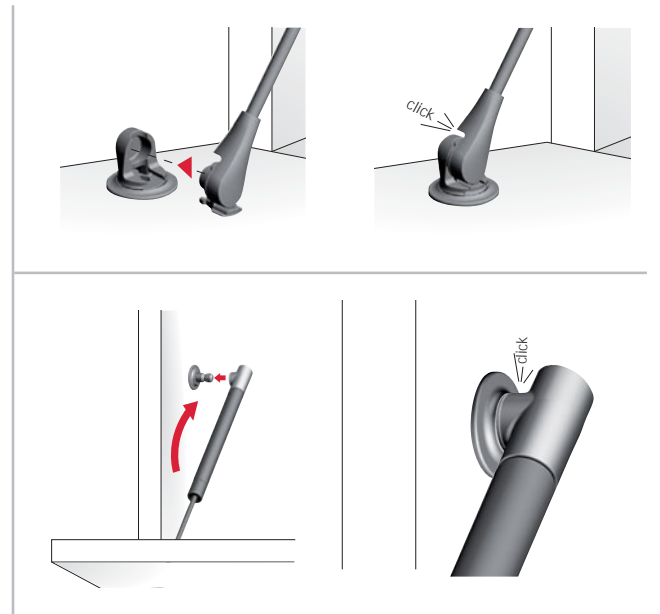
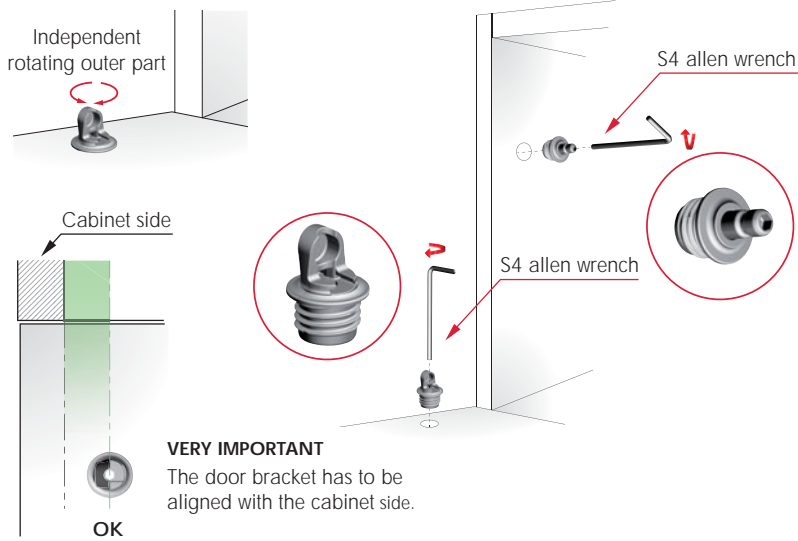


REGISTERED DESIGN
Certificates available on request.



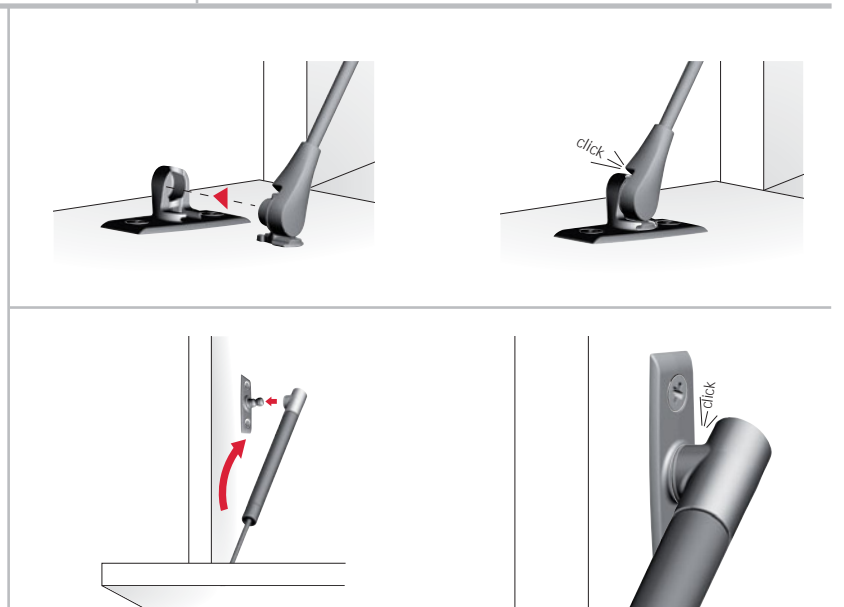
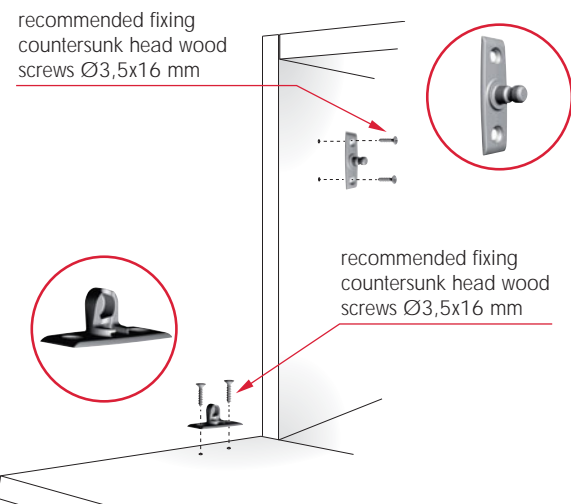
BRACKET Ø15 INSTALLATION

- For details refer to "K12 SYSTEM BRACKETS".



SCREW FIXING BRACKETS INSTALLATION

- For details refer to "K12 SYSTEM BRACKETS".





 **K12 SYSTEM ADJ DROP DOWN**

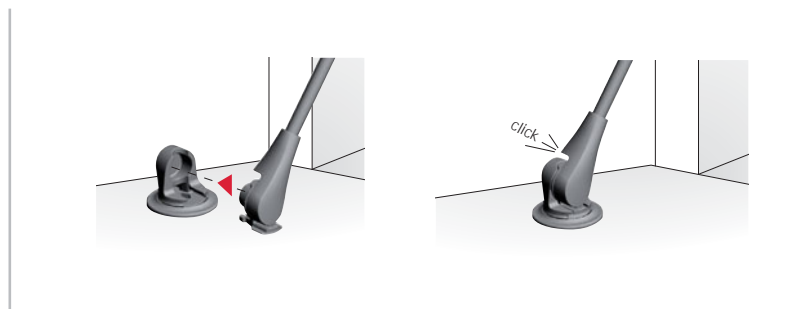
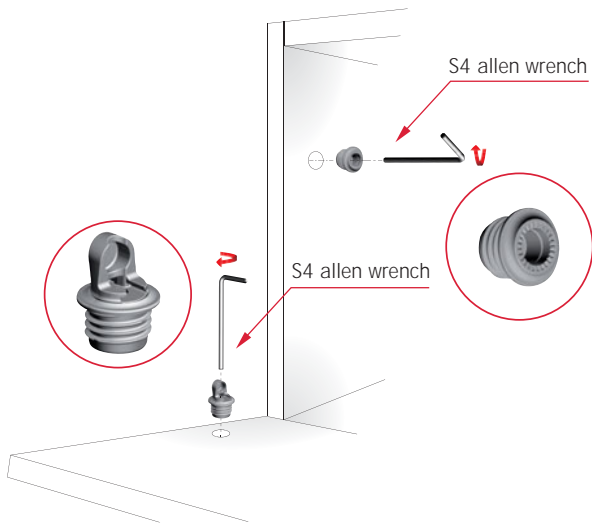


Certificates available on request.

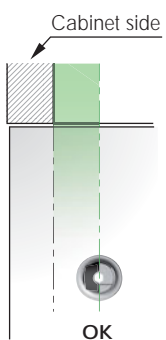
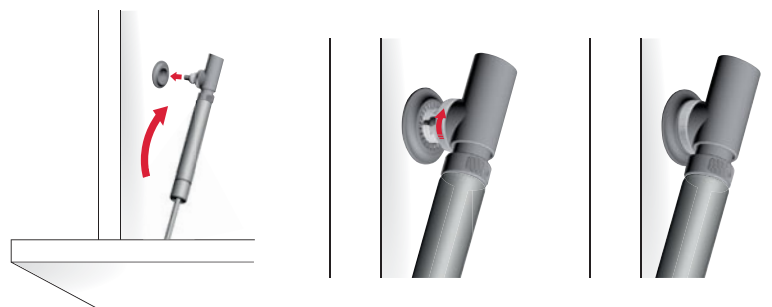


BRACKET Ø15 INSTALLATION

- For details refer to "K12 SYSTEM ADJ BRACKETS".

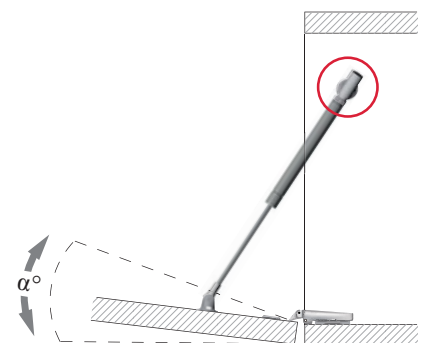
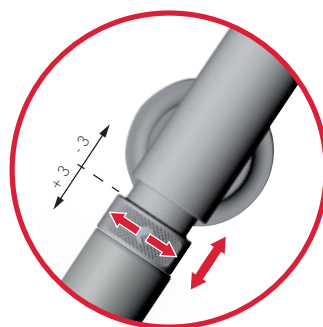


LOCKING: Rotate the plastic knob.

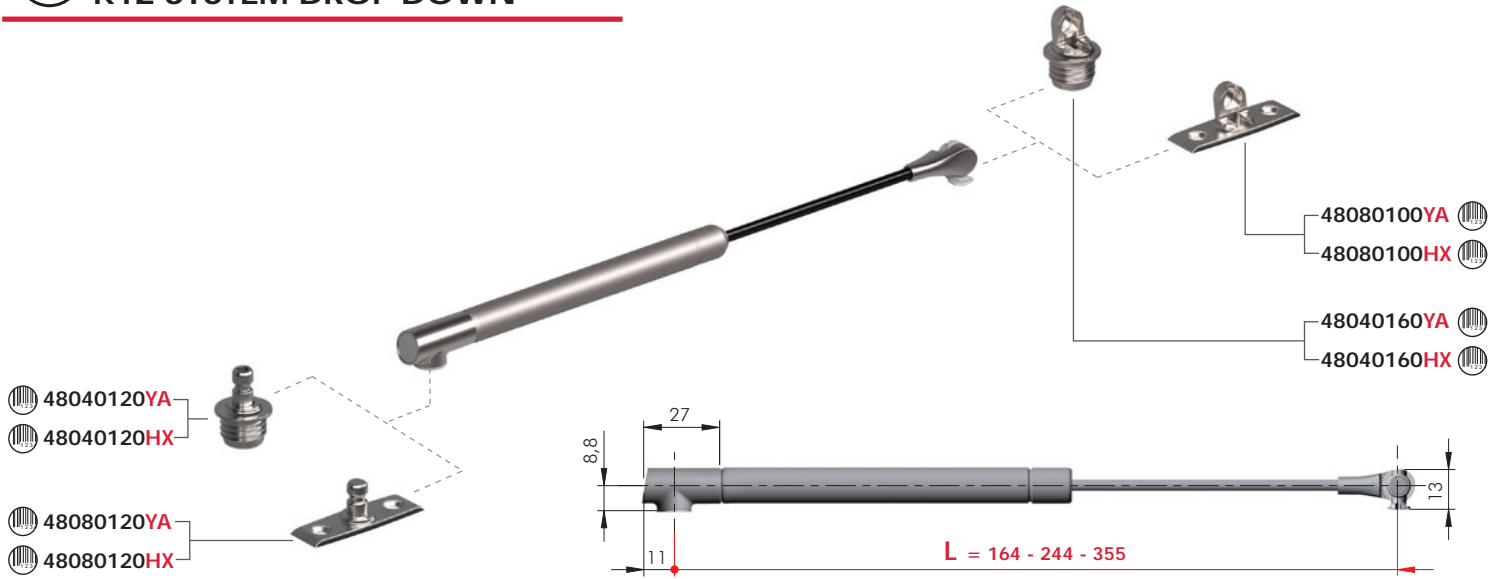


VERY IMPORTANT
The door bracket has to be aligned with the cabinet side.

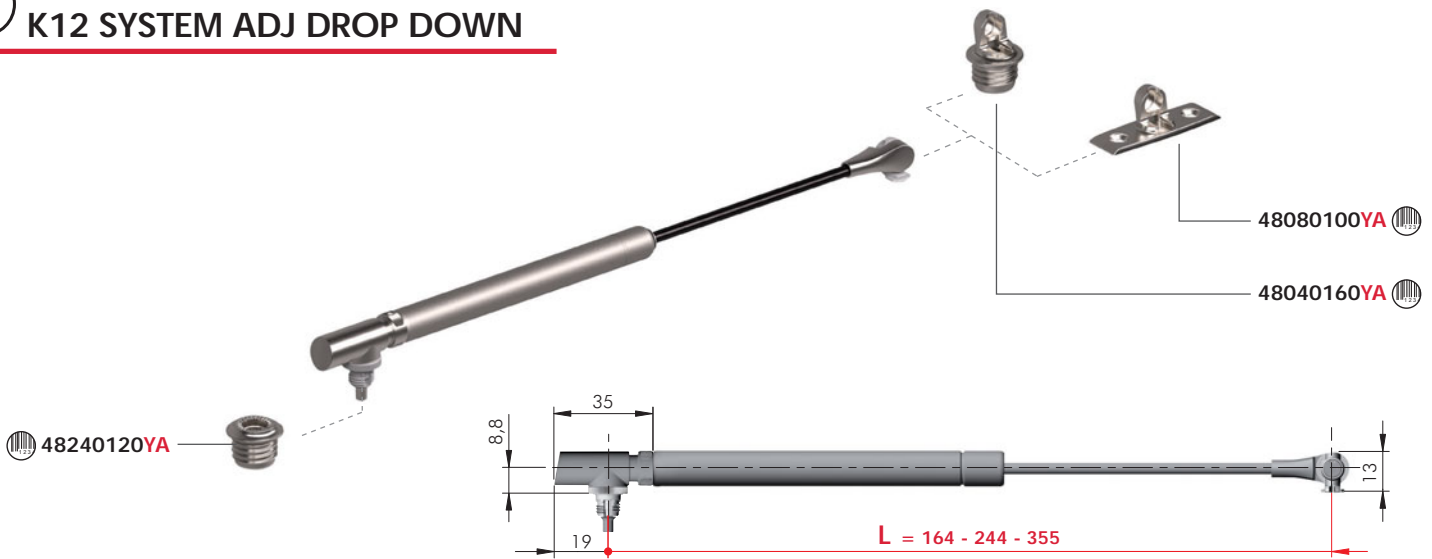
ADJUSTMENT



K12 SYSTEM DROP DOWN



K12 SYSTEM ADJ DROP DOWN



ZA EP ST

= 100 pcs. for L. 164 mm
50 pcs. for L. 244 and 355 mm

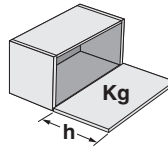
L	K12 SYSTEM	K12 SYSTEM ADJ
164	48050200UZ	48250200UZ
244	48060200UZ	48260200UZ
355	48070200UZ	48270200UZ

+ Part.no + HX

+ Part.no + HX = K12 System with end parts in graphite finish are available on request.



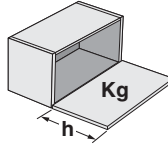
Number of stays chart - L 164 mm



Rev. 02

h	Door weight (Kg)					
	1	2	3	4	5	6
200 - 224	1 x K12		2 x K12			
225 - 274	1 x K12		2 x K12			3 x K12
275 - 300	1 x K12		2 x K12		3 x K12	

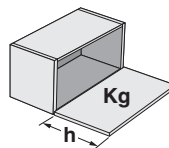
Number of stays chart - L 244 mm



Rev. 02

h	Door weight (Kg)												
	1	2	3	4	5	6	7	8	9	10	11	12	13
290 - 324	1 x K12		2 x K12				3 x K12				4 x K12		
325 - 374	1 x K12		2 x K12				3 x K12				4 x K12		
375 - 424	1 x K12		2 x K12			3 x K12				4 x K12			
425 - 474	1 x K12		2 x K12		3 x K12			4 x K12				-	
475 - 500	1 x K12		2 x K12		3 x K12		4 x K12			-			

Number of stays chart - L 355 mm



Rev. 02

h	Door weight (Kg)												
	1	2	3	4	5	6	7	8	9	10	11	12	13
390 - 424	-		1 x K12			2 x K12					3 x K12		
425 - 474	-		1 x K12			2 x K12					3 x K12		
475 - 524	-		1 x K12			2 x K12					3 x K12		
525 - 574	-		1 x K12			2 x K12			3 x K12				
575 - 600	1 x K12			2 x K12				3 x K12					4 x K12

These are experimental results to be checked by the customer. **In accordance with the actual European regulation, we suggest to use at least two stays for each door.** Our technical department is at your disposal to test further cases out of this chart.